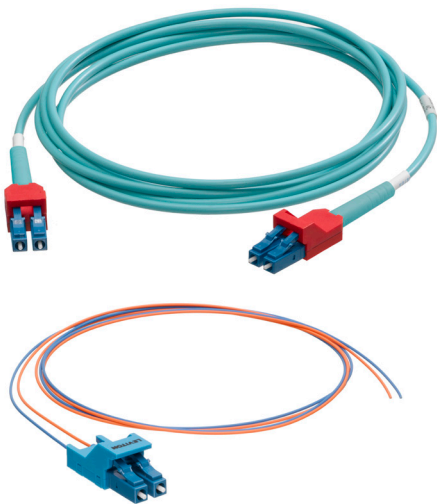


Secure Keyed LC Fiber Patch Cords & Pigtaills

APPLICATION

Secured Keyed LC fiber optic patch cords are used to interconnect or cross-connect fiber networks within a structured cabling system. Secure Keyed LC pigtaills are used to support mechanical and fusion splicing for fiber cabling systems. Eight colors are available to segregate and secure networks from unauthorized and inadvertent moves/adds/changes. The patent-pending duplex LC unibody design prevents removal of connector by hand, and can only be removed with matching color extraction tool.* The system is ideal for government and military networks, data centers and colocation equipment rooms, and financial, academic, and healthcare market sectors.

*Does not prevent malicious removal of connector.



SPECIFICATION

Leviton's Secure Keyed LC fiber optic patch cords and pigtaills shall engage with industry compliant LC duplex and quad adapters. Patch cord connectors cannot be removed by hand: an extraction tool shall be used for removal, preventing unauthorized or accidental moves/adds/changes. Eight unique keyed color options shall be offered to identify and segregate fiber networks. Insertion loss performance shall be less than 0.5 dB maximum for both multimode and single-mode. Return loss performance shall be greater than -25 dB for multimode and greater than -50 dB for single-mode. Polarity shall be A to B or A to A on patch cords and no polarity on pigtaills. Patch cord and pigtaills shall be in compliance with TIA-568-C.3, TIA-604-xx, and FOCIS-xx.

FEATURES

- Patent-pending unibody design prevents unauthorized and inadvertent MACs
- Duplex LC connector plugs into any industry compliant LC adapter or interface, unlike traditional keyed LC solutions
- Eight colors are available to segregate and secure network: white, yellow, orange, red, blue, green, slate, and black
- All connectors are heat cured and use ceramic ferrules for optimal performance
- All patch cords and pigtaills are part of Leviton's custom-build make-to-order program
- Extraction tools (sold separately) allow for easy cable assembly removal with push-in/pull-out motion and are color-coded to match connector key type
- Custom dust caps are included with patch cords, extraction tools, and port protection plugs
- Made in the United States

DESIGN CONSIDERATIONS

- Extraction tool of same color required to disengage assembly from adapter
- To remove extraction tool from assembly, dust cap must be inserted back onto connector, promoting good fiber discipline
- Cable jacket (and boot color) designates fiber type:
 - 62.5/125 μm and 50/125 μm multimode is orange color (boot colors are beige and black, respectively)
 - 50/125 μm laser optimized multimode is aqua color (boot color is aqua)
 - Single-mode is yellow color (boot color is blue)
- Connector ferrules are zirconia ceramic
- 2-fiber 3 mm round cable jacket used on all patch cord configuration fiber types except on hybrid configurations
- 2-fiber 3 mm zip-cord used on hybrid patch cord configurations
- 2-fiber 900 μm tight buffer fiber (in blue and orange color) on pigtail configuration
- Polarity option of A to B or A to A

STANDARDS COMPLIANCE

TIA-568-C.3; Optical Fiber Cabling Components Standard
TIA-604-xx; Fiber Optic Connector Intermateability Standard
GR-326; Generic Requirements for Single-mode Optical Connector and Jumper Assemblies

PHYSICAL SPECIFICATIONS

See page two.

WARRANTY INFORMATION

For a copy of Leviton product warranties, visit www.leviton.com.

COMPONENT SPECIFICATIONS
Secure Keyed LC Fiber Patch Cords & Pigtails

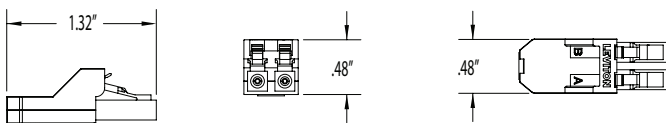
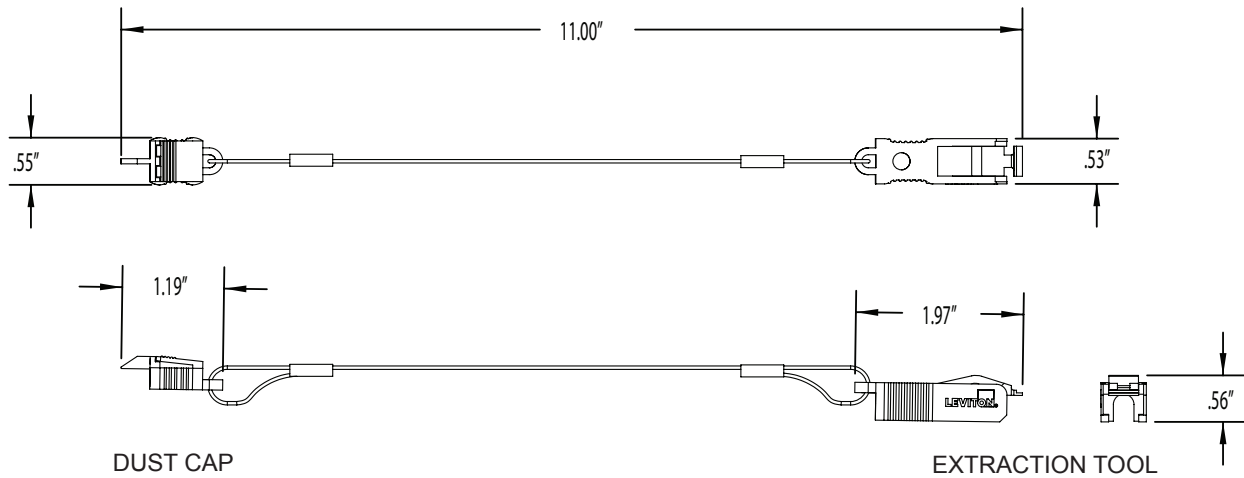


ELECTRONIC FILES

For CAD files, typical specs, or technical drawings (.DXF, .DWG), visit www.leviton.com.

PERFORMANCE SPECIFICATIONS — PATCH CORDS & PIGTAILS

Insertion Loss – Single-mode	<0.5 dB Max., 0.2 dB Typical
Insertion Loss – Multimode	<0.5 dB Max., 0.3 dB Typical
Return Loss – Single-mode	> -50 dB
Return Loss – Multimode	> -25 dB



PORT PROTECTION PLUG

SECURE KEYED LC ACCESSORIES

Description	Part No.
Extraction Tool w/ dust cap	ETRTN-xTL
Port Protection Plug w/ dust cap	PPRTN-xLG
Dust Cap (bag of 10)	DUSTK-CAP

x = color: White (W), Yellow (Y), Orange (O), Red (R), Blue (L), Green (V), Slate (G), Black (E)



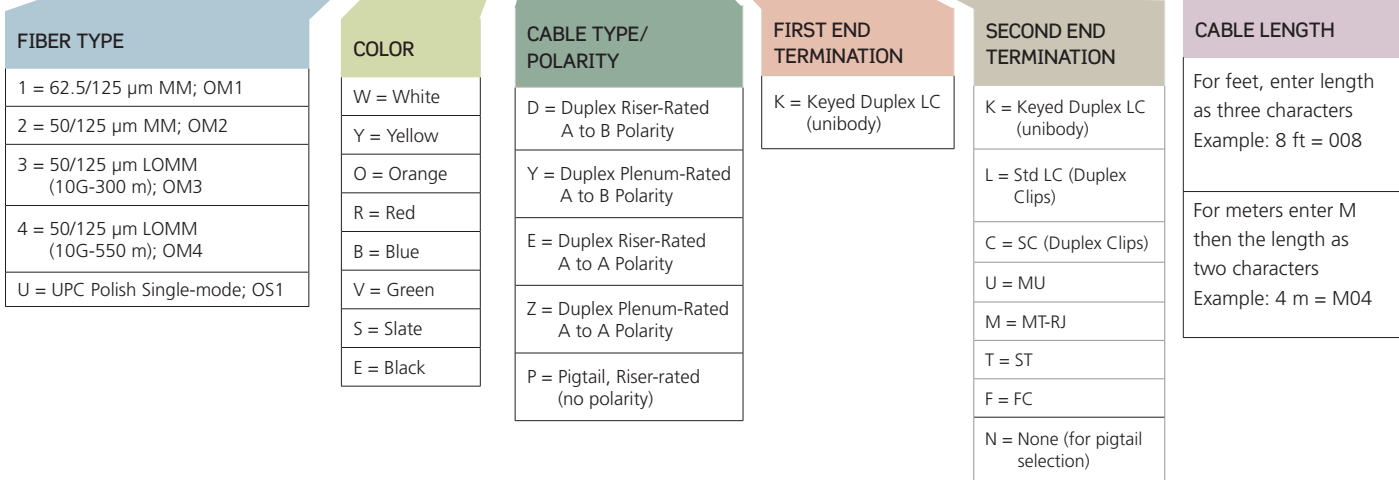
Secure Keyed LC Fiber Patch Cords & Pigtails

PART NUMBER CONFIGURATOR - SECURE KEYED LC FIBER PATCH CORDS & PIGTAILS

Example: **3VDKC-M03** — Fiber Patch Cord, 50/125 µm LOMM (10G-300 m) duplex riser-rated, Keyed duplex unibody LC (Green) to duplex SC, 3 meter length, polarity is A to B

FOR ASSISTANCE CONFIGURING YOUR PATCH CORDS OR FOR CONFIGURATIONS NOT SHOWN, PLEASE CALL 1.206.722.2082

XXXKX - XXX



Secure Keyed LC Fiber Patch Cords & Pigtails

