

## DuraPort® Industrial Connector Housing

### APPLICATION

DuraPort Industrial Connectivity products provide IP67-class protection to safeguard your connectivity from humidity and moisture, corrosive materials, temperature extremes, and other conditions often found in industrial environments.

### SPECIFICATION

Connectors and related components shall be IP67-rated. Connector housing shall be made of PBT-rated UL 94V-0, be cULus listed, and be compliant with TIA-568-C.2 Standards and TIA/TR 42.9 Industrial Standard specifications.

### FEATURES

- IP67-rated environmental sealing (dust/water protection)
- Available in GigaMax® 5e+ (CAT 5e), and eXtreme® 6+ (CAT 6) performance
- Clear identification ensures proper jack orientation
- DuraPort Connector Cap with retainer protects unused ports
- Includes patented Retention Force Technology
- Twist-lock mating allows for easy installation and provides a robust seal
- Encapsulated RJ-45 design protects integral components
- Rockwell Encompass™ approved

### DESIGN CONSIDERATIONS

- Uses standard Leviton QuickPort® opening to easily replace, or upgrade performance without replacing entire outlet
- Mount on PLC enclosures 1.25" diameter opening
- Compatible with standard NEMA boxes



Pictured: DuraPort Industrial Connector Housing, CAT 6, w/ connector cap

### STANDARDS COMPLIANCE

Meets or exceeds all applicable standards: cULus Listed; complies with TIA/TR 42.9 Industrial Standard, TIA-568-C.2, UL 1863 compliant

### PHYSICAL SPECIFICATIONS

Ingress Protection:	IP67 (dust/water)
Corrosion:	Resistant to most common chemicals, oils, and cleaning agents
Vibration:	
Frequency Range	10-500 Hz
Acceleration	5g (operational)
Mating Cycles:	750 minimum
Materials:	Polybutylene terephthalate (PBT), UL 94V-0

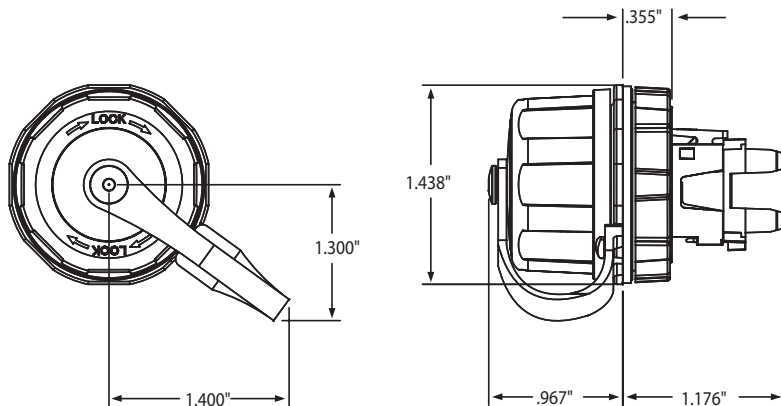
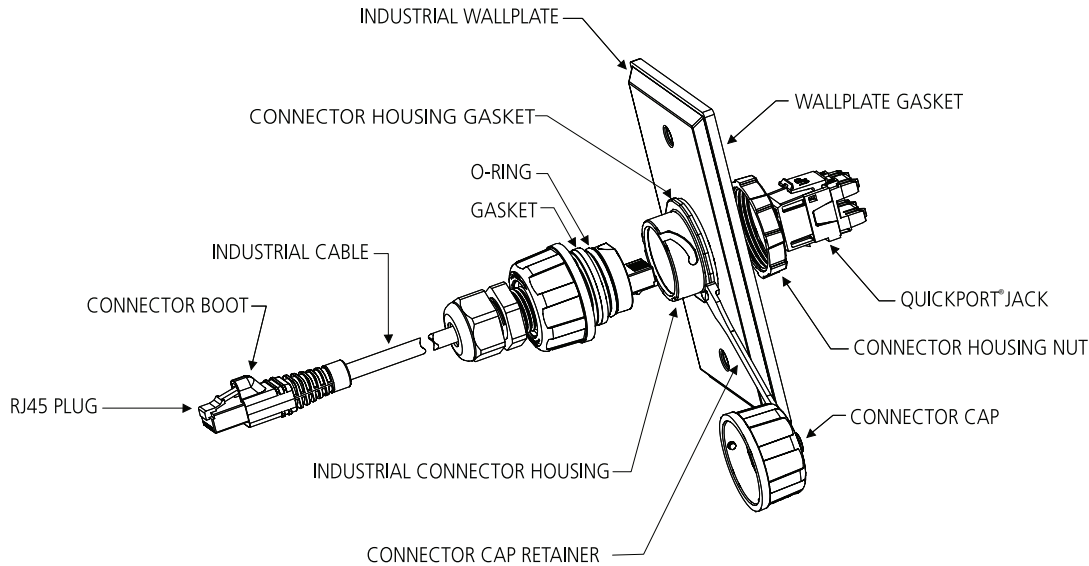
Connector contacts are high quality copper-based alloy, plated with over 100 µm of nickel for maximum life and lowest electrical contact resistance.

### WARRANTY INFORMATION

For Leviton product warranties, go to [Leviton.com/warranty](http://Leviton.com/warranty).

**ELECTRONIC FILES**

For CAD files, typical specs, or technical drawings (.DXF, .DWG), visit [www.leviton.com](http://www.leviton.com).



**D67xx-00E**

<b>DURAPORT INDUSTRIAL CONNECTIVITY</b>	
<b>DURAPORT INDUSTRIAL CONNECTOR HOUSINGS</b>	<b>PART NO.</b>
CAT 6 Industrial Connector Housing w/ Connector Cap (product supplied w/ black 61110 connector)	D6706-00E
CAT 5e Industrial Connector Housing w/ Connector Cap (product supplied w/ black 5G110 connector)	D675E-00E
Housing w/ Connector Cap (connector not included)	D6700-00E
Connector Cap (connector and housing not included)	D6701-00E
<b>DURAPORT INDUSTRIAL OUTLET KITS</b>	<b>PART NO.</b>
Industrial Outlet Kit, stainless steel, 1-port, single-gang	D670K-1S1
Industrial Outlet Kit, stainless steel, 2-port, single-gang	D670K-1S2
Industrial Outlet Kit, stainless steel, 2-port, dual-gang	D670K-2S2
Industrial Outlet Kit, stainless steel, 4-port, dual-gang	D670K-2S4

